

SMOKING MACHINES FOR THE GENERATION OF CIGARETTE SIDESTREAM
SMOKE

W. Reininghaus, P. Schnell

A 30-port smoking machine for continuous generation and a single port smoking machine for batch generation of sidestream smoke (SS) are presented. Examples are given, how these devices can be used to measure standardized SS delivery of cigarette brands, investigate the aging processes of SS under various environmental conditions, establish controlled SS atmospheres for inhalation studies, and to produce sufficient amounts of SS condensate for analytical determinations and biological in vitro and in vivo assays.

2022826578

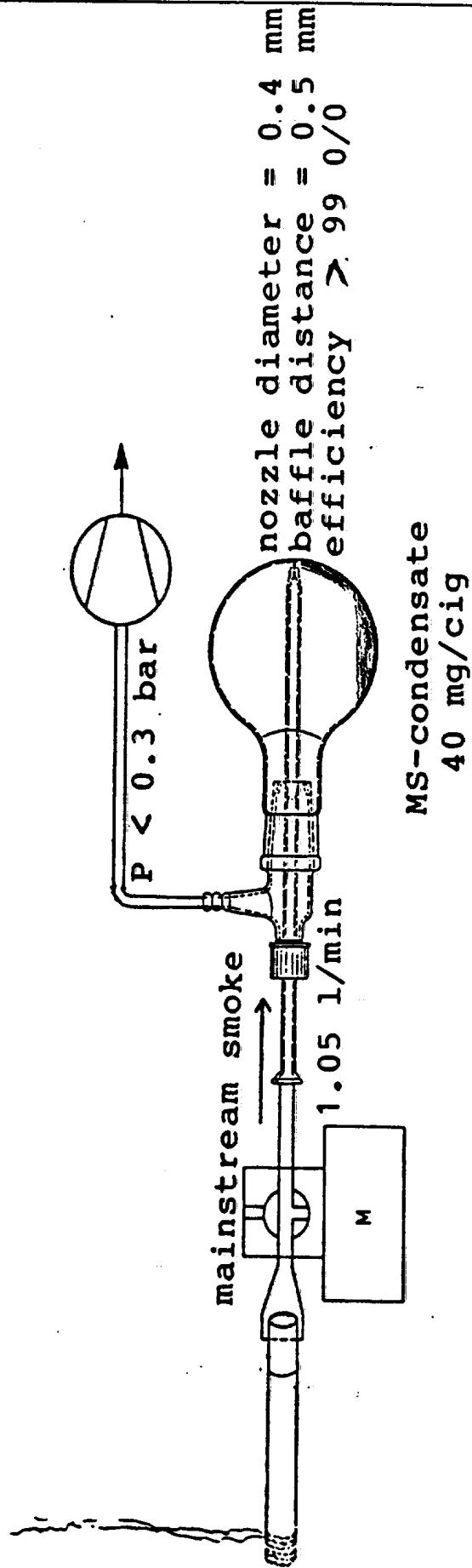


FIGURE 1

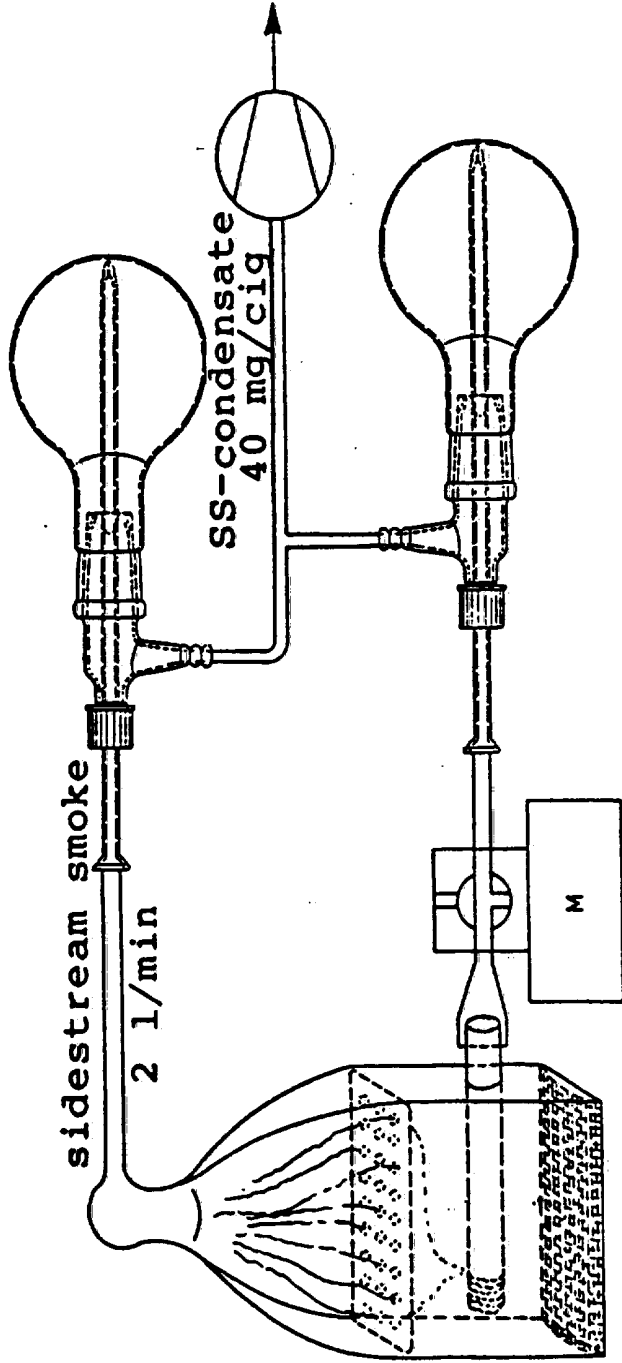


FIGURE 3

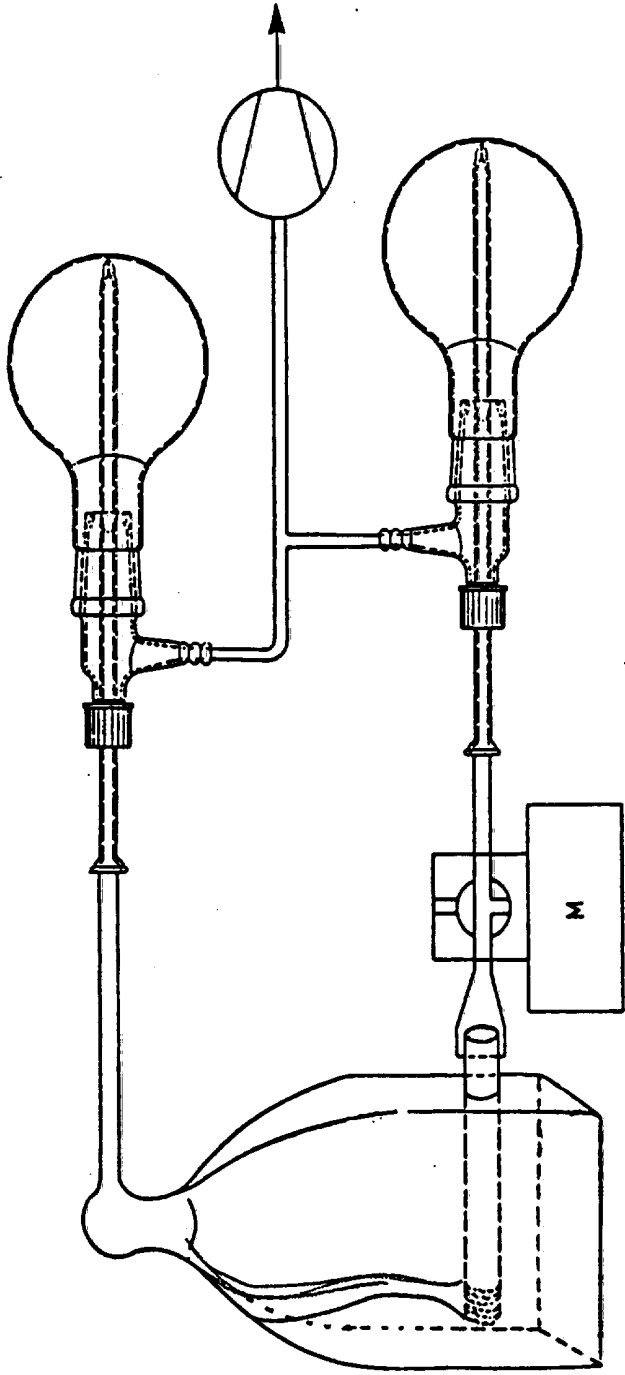


FIGURE 2

2022826581

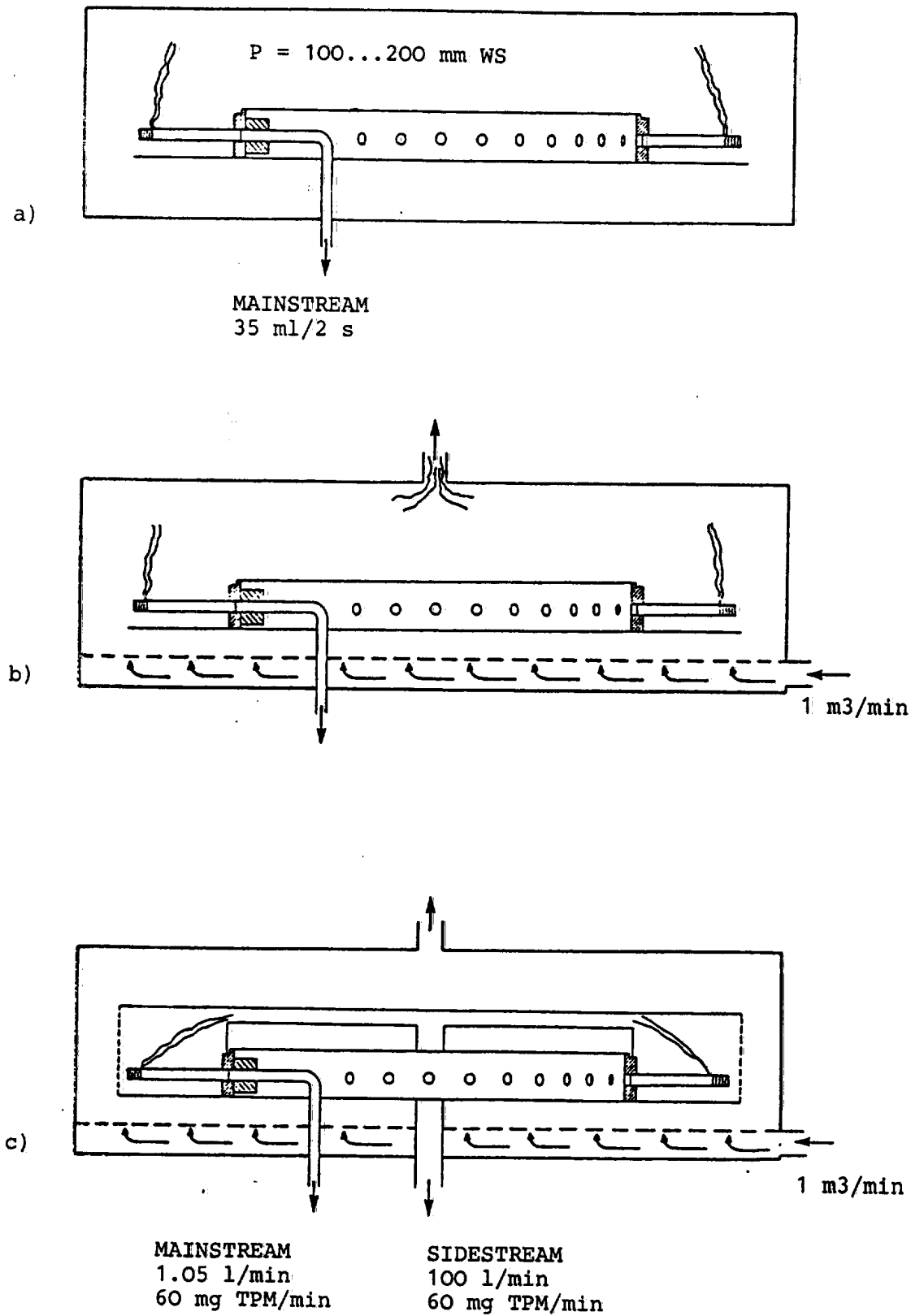


FIGURE 4

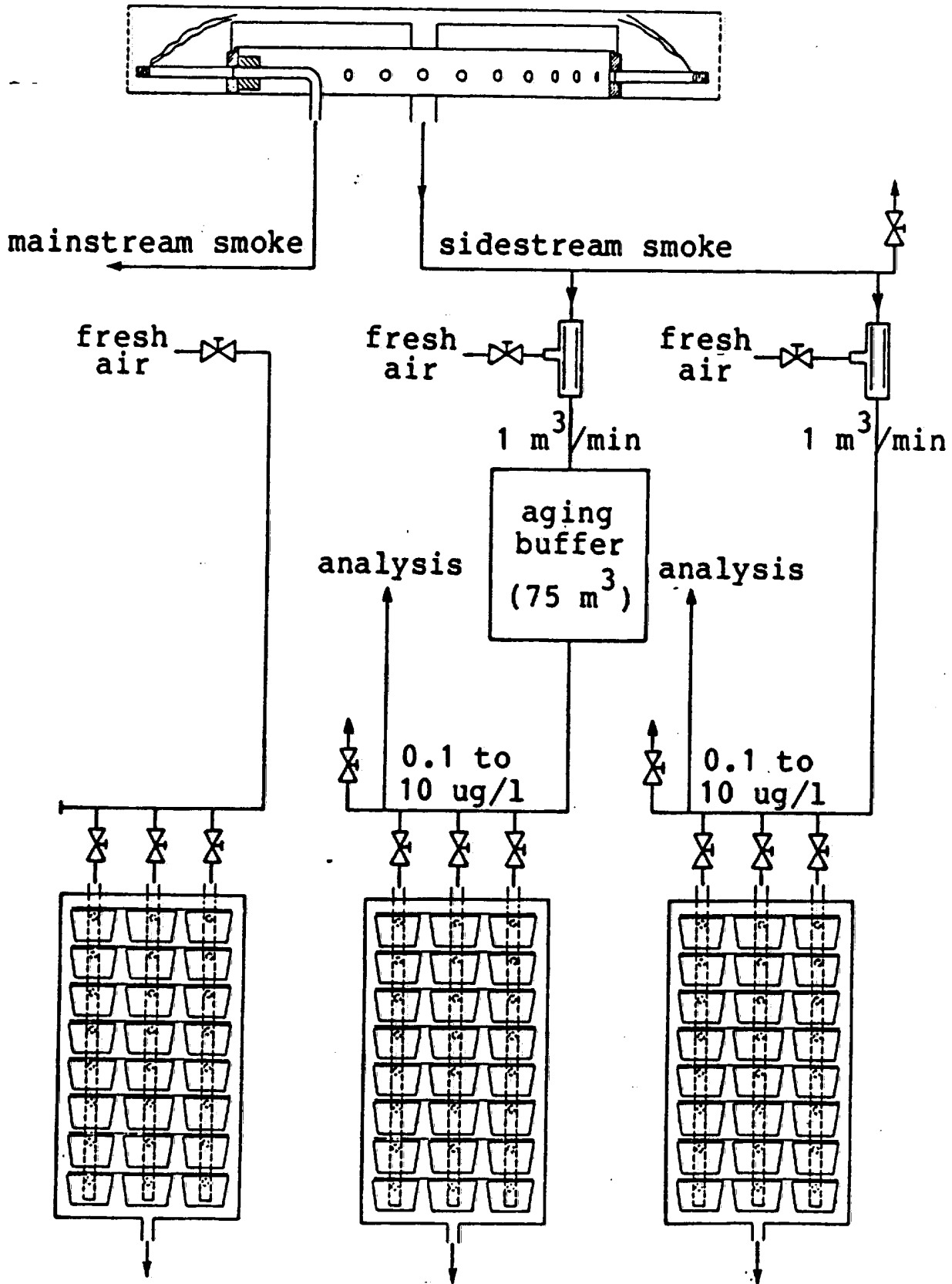
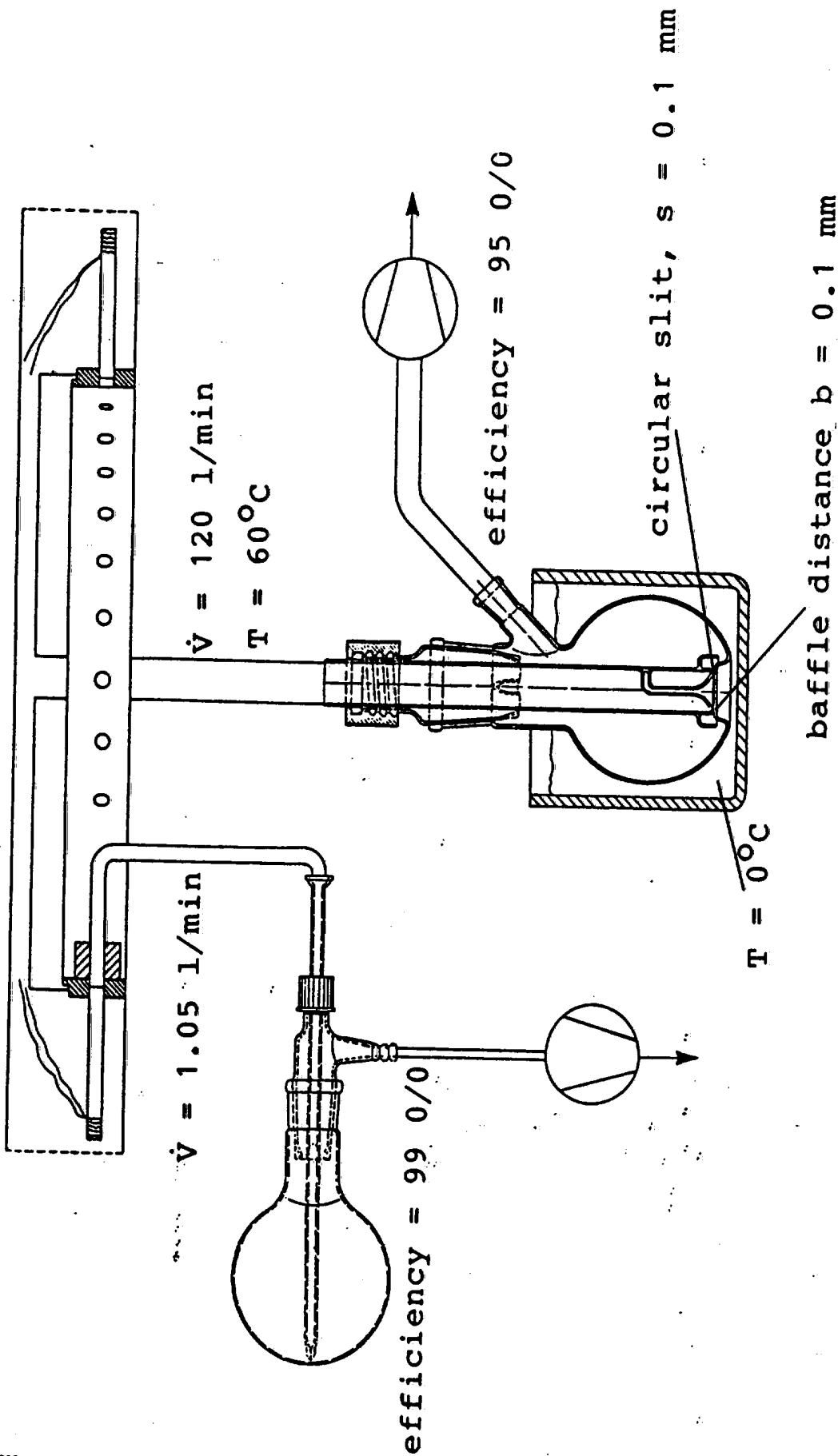


FIGURE 5

Figure 6 und 7 :

2. PAGE 3-4

(= no reproduction available)



• FIGURE 8

585928202

